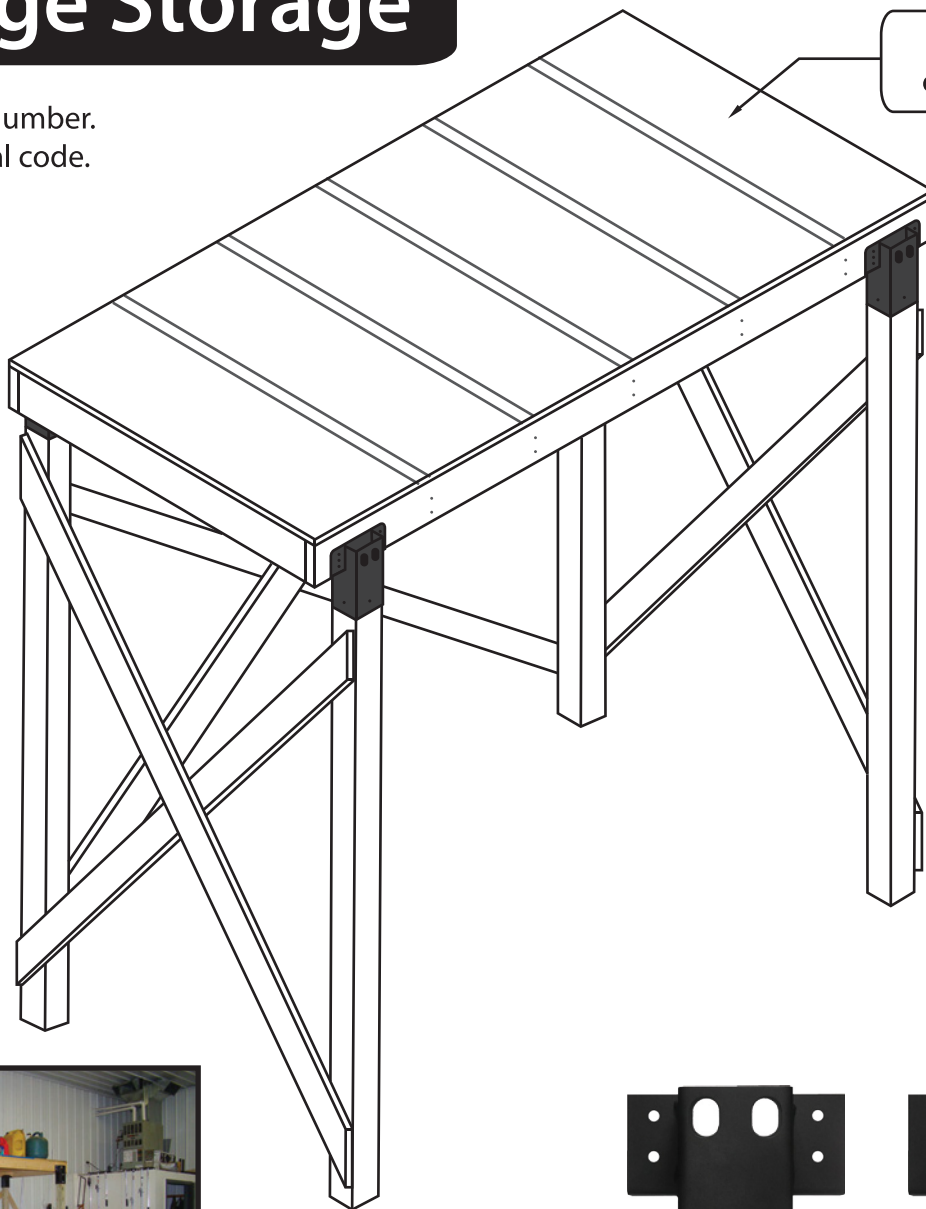


Garage Storage

- Use quality lumber.
- Build to local code.



1/2" Plywood
over 16" joists



Install Elevators on long side.

Materials List

Frame

- 7 - 2x6's cut at 45-inches for 16" frame joists
- 2- 2x6's cut at 8-feet
- 1- 4x8 sheet of plywood or OSB

Post

- 4- 4x4's cut to desired height

Crossbracing

- 6- 1x4's cut to size

Hardware

- 2lb box of 2 1/2" screws
- 2lb box of 3" screws
- 16- 3 x 5/16" lag bolts
- 12- 1 1/2 x 5/16" lag bolts
- 28- Flat 5/16" washers

4x4 (E100) Straight Elevators, set of 4.

